

LAKEWOOD INSTRUMENTS

MODEL 140

WATER TREATMENT CONTROLLER



The Model 140 uses the latest in microprocessor capability, giving the user a high level of application flexibility. Multiple inputs and very easy setup characterize this new technology. Water meters, sensors and plumbing assemblies are purchased separately.

PART NUMBER 1239597 SHOWN

Cooling Tower Water Treatment Controller W/Sensor And Flow Switch Plumbing On A Mounting Plate

FEATURES

- Use this Controller for cooling towers.
- Removable power cord and receptacles for simple conduit installations.
- Scheduled feed, which can use two relays for biocides or other chemicals.
- One (1) water meter input, conductivity input, flow switch input, and 4-20 mA output are all standard features.
- Designed with a single circuit board for better reliability and lower cost.
- Large open shallow enclosure for easy wiring.
- The enclosure is rated NEMA 4X.
- Power selector switch for 115 or 230 vac operation.
- Heavy-duty stainless steel domed numeric keypad and illuminated graphical display allow for quick and easy programming. Steel domed switches improve the tactile sensing and life expectancy of the keypad.
- LED indicators for power, alarm and relay status.

BENEFITS

- Easy to program, the Model 140 Controller menu is just like the Lakewood model 1575e controller.
- Single circuit board design improves reliability.
- No add-on options. 4-20 mA output and biocide features are standard.
- Multiple methods of chemical feed for application flexibility.

SPECIFICATIONS

Conductivity range	0-10,000 μ S	Timer	Max. blowdown time exceeded, relay time exceeded
Conductivity sensor	2 electrode	Output Signal	One 4 – 20 mA, non-isolated powered output
Conductivity Resolution	\pm 10 μ S	Output relays	2 selectable use, 1 blowdown
Temperature comp.	500 ohm NTC	Relay ratings	3A each, 10A total
Accuracy & repeatability	\pm 1.0%	Power	120/240 VAC 50/60 Hz
Deadband/Setpoint	Adjustable	Ambient	32° - 120°F (0 - 49°C)
Auto/Manual outputs	Menu selectable	Water temperature	32°- 140°F (0 - 49°C)
Keypad	16 tactile push-buttons	Pressure	140 psi @ 100°
Display	16 X 2 Character	Enclosure	NEMA 4X
Water meter input	Contact head, paddle wheel or turbine		

ORDERING OPTIONS

Controller Options

- 1239594** Cooling Tower Water Treatment Controller Only. (No Sensor Or Plumbing).
- 1239595** Cooling Tower Water Treatment Controller, Including Sensor Tee And Conductivity Sensor.
- 1239596** Cooling Tower Water Treatment Controller, Including Flow Switch Plumbing And Conductivity Sensor.
- 1239597** Cooling Tower Water Treatment Controller, Including Flow Switch Plumbing And Conductivity Sensor On A Mounting Plate.

Cooling Tower Options



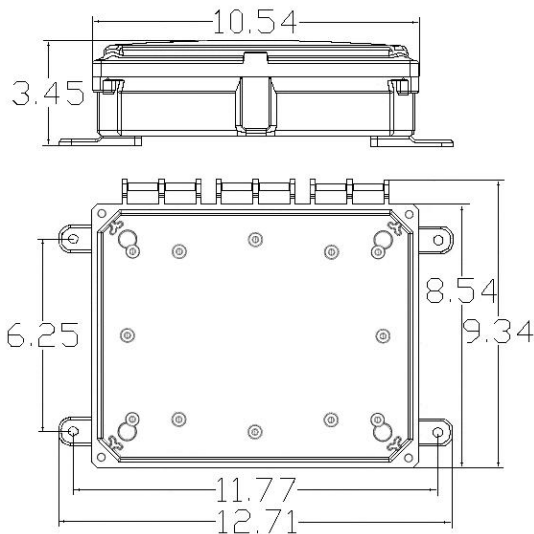
1107003 Cooling Tower Flow Switch Plumbing



1167214 Cooling Tower Sensor Tee



1167158 Cooling Tower Sensor with 20 ft cable



MODEL 140

PART NO.	DESCRIPTION
-----------------	--------------------

1239595	140 with cooling tower sensor tee and sensor
1239596	140 with cooling tower flowswitch and sensor
1239597	140 with cooling tower fs and sensor on mounting plate

PART NO.	CONDUCTIVITY COOLING TOWER CONTROLLER
-----------------	--

1239594	140 controller only, no sensor
---------	--------------------------------

PART NO.	COOLING TOWER COMPONENTS
-----------------	---------------------------------

1167158	Sensor, Conductivity 2 elec w/20 ft Cable
1167157	Sensor, Conductivity 2 elec w/2 ft Cable
1167214	Plumbing, tee
1107003	Plumbing, with 20' FS, remote plumbing

PART NO.	REPLACEMENT PARTS
-----------------	--------------------------

1166418	O-Ring, for sensor and/or flow sight, set of 10
1169740	Red Ring replacement Kit set of two
1107004	20' Reed Switch
1167266	Flow Sight set of five
1167234	Flow Float set of five
1107003	Plumbing, with 20' FS, remote plumbing